

CODE

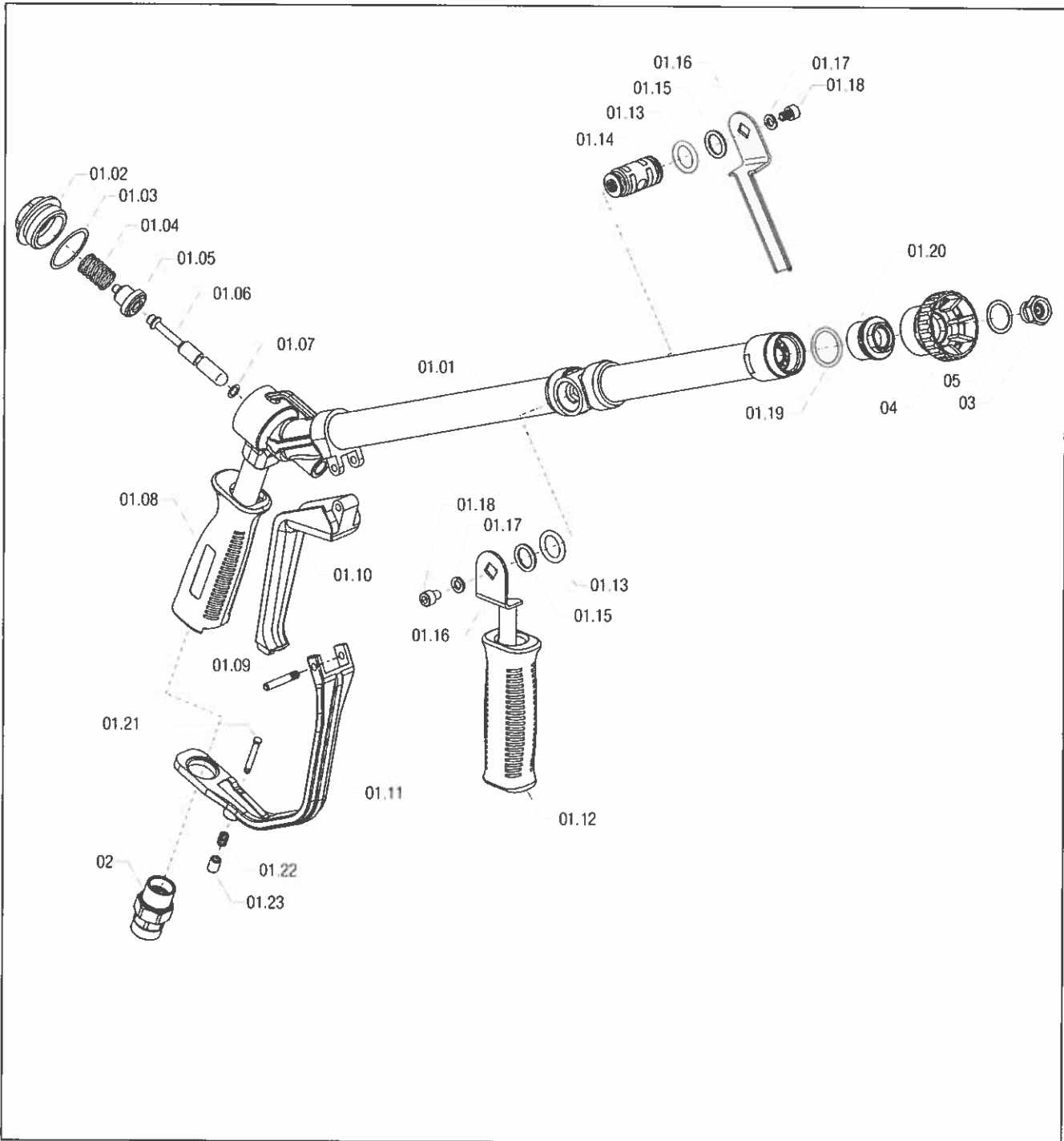
002203F

HP SPRAY GUN WITH FIXED FITTING D. 2,3 CERAMIC

SPRAYERS

"TOP GUN" long range high pressure spray gun



 SPARE PARTS


REFERENCE	CODE	DESCRIPTION	REFERENCE	CODE	DESCRIPTION
01.01	002202.100	COMPLETE BODY TOP GUN SPRAYGUN	01.15	002202.201	DISTR.DRUM WASHER TOP GUN SPRAYGUN
01.02	002200.160	SPRING SUPPORT CAP	01.16	002200.210	FORK FOR DISTRIBUTOR UNIT
01.03	G10061	OR 3,00X29,20 EPDM	01.17	B222F0	WASHER GROVER 6,4X11,4X1,6 * INOX
01.04	002200.171	SPRING FOR HAND GUN	01.18	V1C24C	SCREW TCEI 6X8 UNI 5931 * INOX
01.05	002200.180	PLUNGER	01.19	506400.130	GASKET (OR) 2,62X21,89 EPDM
01.06	002200.190	PLUNGER ROD	01.20	002200.220	NOZZLE HOLDER
01.07	G11011	OR 2,62X5,23 NBR	01.21	506530.060	DECANTING GUN PIN D.5,5
01.08	002200.110	SPRAY GUN HANDGRIP KNOB	01.22	506540.070	LOCKING HOOK SPRING DECANTING GUN
01.09	002200.140	SPRAY GUN LEVER PIN	01.23	506530.080	DECANTING GUN PUSHER
01.10	002200.130	SPRAY GUN LEVER	02	002200.240	SWIVEL INLET PORT
01.11	002200.120	HANDGRIP PROTECTION	03	00HP09022	CERAMIC CONE NOZZLE D. 2.2
01.12	002200.150	HANDGRIP KNOB DISTRIBUTOR FORK	04	002200.261	NOZZLE PROTECTION HIGH PRESS. GUN
01.13	G11080	OR 3,53X 13,87 OR4055 EPDM	05	B205S0	BRASS FLAT WASHER 18X23X1
01.14	002202.200	DISTR. DRUM TOP GUN SPRAYGUN			